

# RF POWER AMPLIFIER



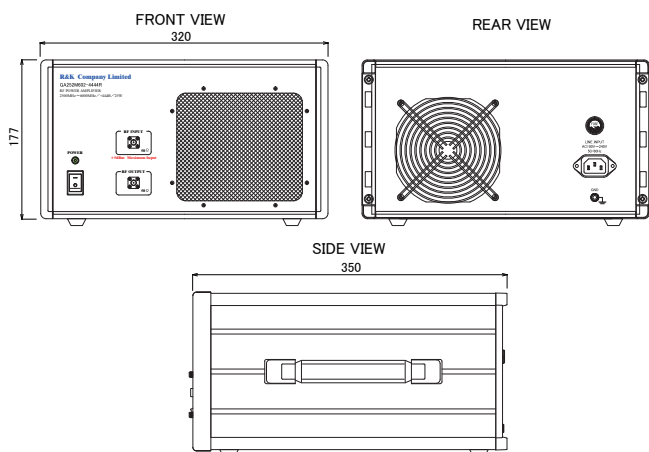
## R&K-GA252M602-4444R



### OUTLINE DRAWING

※IN MILLIMETERS

Δ3



- Ultra Wide Band Power Amplifier
- Broadband Frequency: 2500MHz ~ 6000MHz
- Output Power (CW) : 25W (min.) @3dB Comp.
- With Output Circulator

### APPLICATION

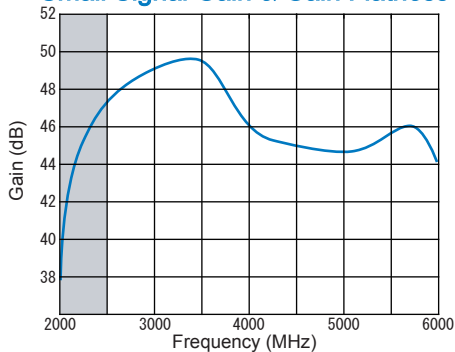
- EMC (Electromagnetic Compatibility)
- Accelerator Application
- Telecommunication Test and Measurement Application
- Etc...

### SPECIFICATIONS @ +25°C

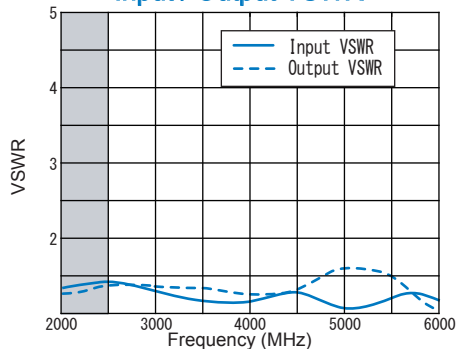
Frequency Range	: 2500MHz ~ 6000MHz
Small Signal Gain	: +44.0dB (typ.) : +43.0dB (min.) : ±3.5dB (max.)
Gain Flatness	: ±3.5dB (max.)
Output Power (CW)	: 25W (min.) @3dB Comp. Δ2 : 20W (min.) @1dB Comp.
Operation Mode	: Class A
Output I.C.P.	: +49.0dBm (typ.)
Harmonics	: -20.0dBc (max.) @Po=25W
Spurious	: -60.0dBc (max.) @Po=25W
Impedance	: 50Ω
Input VSWR	: 2.0 (max.)
Output VSWR	: 2.0 (max.)
Maximum RF Input Power	: +5.0dBm Δ1
Maximum RF Output Power	: +48.0dBm
AC Supply Input	: AC100V~240V, 50/60Hz, 500VA Δ3
Operating Temperature	: 0°C to +40°C
Storage Temperature	: -15°C to +65°C
Connectors	: RF-IN SMA-FEMALE : RF-OUT SMA-FEMALE
Size	: (W)320mm×(D)350mm×(H)177mm(EIA:4U)
Weight	: 12.5kg (typ.) Δ4
Cooling	: Forced Air Cooling
Other	: With Output Circulator
Protection Circuits	: Over Temperature Protection : Power Supply Voltage Protection

### TYPICAL PERFORMANCE (Temp @+25°C)

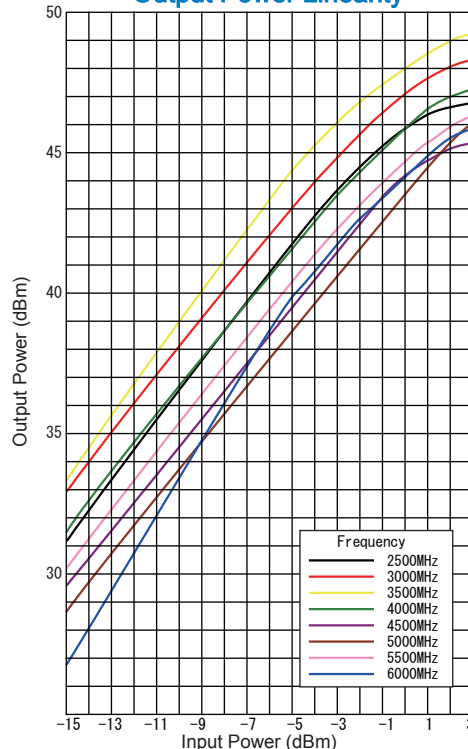
#### Small Signal Gain & Gain Flatness



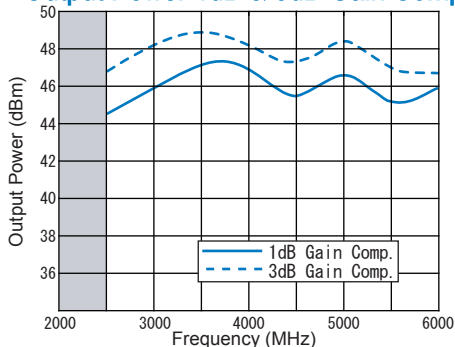
#### Input / Output VSWR



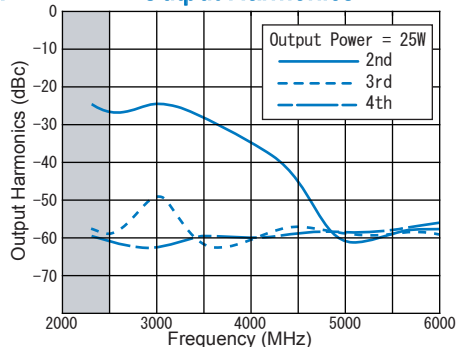
#### Output Power Linearity



#### Output Power 1dB & 3dB Gain Comp.



#### Output Harmonics



\*CHANGE Δ1 13/Jun/2011 Δ2 06/Jan/2014 Δ3 02/Jun/2014 Δ4 28/Jan/2019

R&K reserves the right to make changes in the specifications of or discontinue products at any time without notice. R&K products shall not be used for or in connection with equipment that requires an extremely high level of reliability and safety such as aerospace uses or medical life support equipment. Further, the export of R&K products from Japan may be subject to an export license by the government of Japan, based on Japan's "Foreign Exchange and Foreign Trade Law".

## R&K Company Limited

721-1 Maeda, Fuji-City, Shizuoka-Pref. 416-8577 Japan  
Tel : +81-545-31-2600 E-mail : info@rkco.jp  
Fax : +81-545-31-1600 URL : http://rk-microwave.com