

RF POWER AMPLIFIER



R&K-GA102M602-5653R



- Ultra Wide Band Power Amplifier
- Broadband Frequency: 1000MHz ~ 6000MHz
- Output Power : 200W (typ.) @ 3dB Comp.

APPLICATION

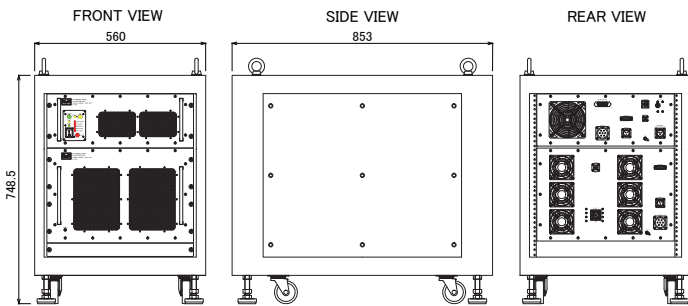
- EMC (Electromagnetic Compatibility)
- Accelerator Application
- Telecommunication Test and Measurement Application
- Etc...

SPECIFICATIONS @ +25°C

Frequency Range	: 1000MHz ~ 6000MHz
Small Signal Gain	: +56.0dB (min.)
Gain Flatness	: ±3.0dB (max.)
Output Power	: 200W (typ.) / 150W (min.) @ 3dB Comp.
	: 100W (min.) @ 1dB Comp.
Harmonics	: -18.0dBc (max.) @ Po=150W
Spurious	: -65.0dBc (max.) @ Po=150W
Impedance	: 50Ω
Input VSWR	: 2.0 (max.)
Output VSWR	: 3.0 (max.)
Maximum RF Input Power	: +3.0dBm
AC Supply Input	: AC200V ± 10% / 1φ, 50/60Hz, 3.6kVA
Operating Temperature	: 0°C to +35°C
Storage Temperature	: -15°C to +65°C
Connectors	: RF - IN N - FEMALE @ REAR PANEL RF - OUT 7/16" - FEMALE @ REAR PANEL
Size	: (W)560mm × (D)853mm × (H)748.5mm
Weight	: 140.5kg (typ.)
Cooling	: Forced Air Cooling
Protection Circuits	: Over Temperature Protection Power Supply Voltage Protection Output Over Power Protection Output Over Reflection Power Protection
Others	: GP-IB Safety Interlock (EMERGENCY)

OUTLINE DRAWING

※ IN MILLIMETERS

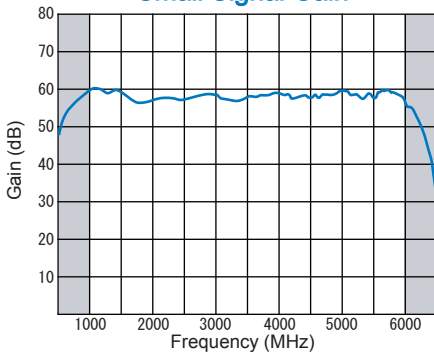


TYPICAL PERFORMANCE (Temp @ +25°C)

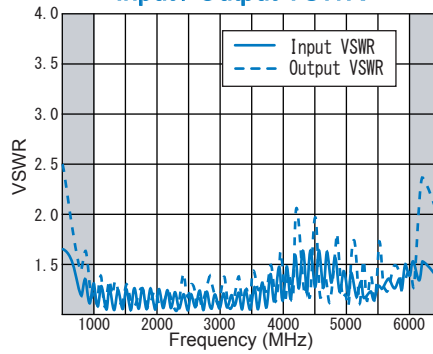
HOW TO ORDER

Model Name
R&K-GA102M602-5653R OP XX Option:
See Option Line up

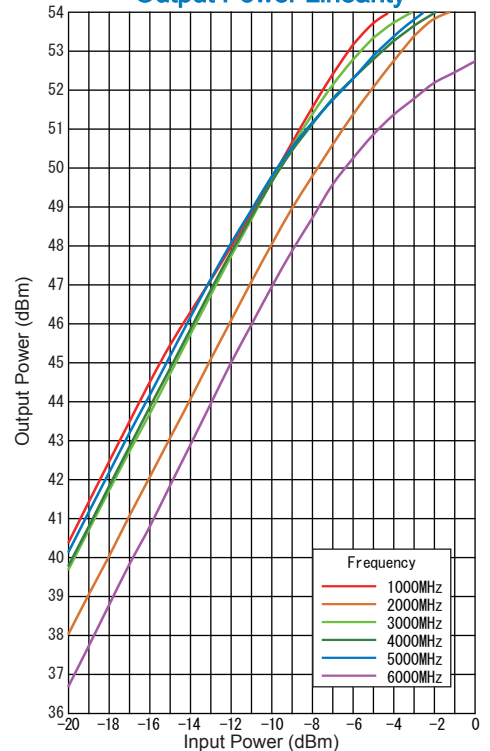
Small Signal Gain



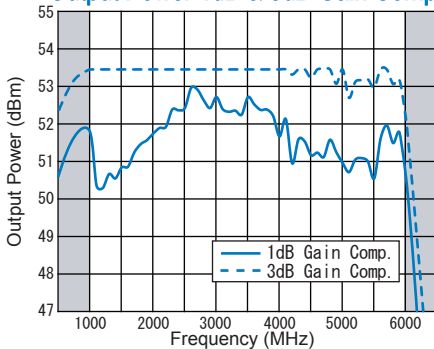
Input / Output VSWR



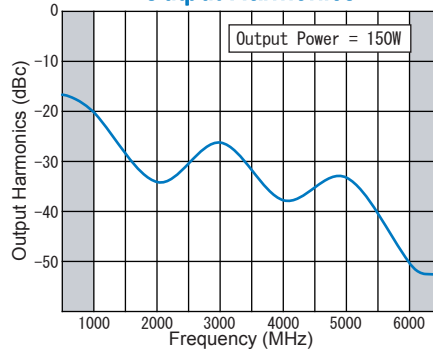
Output Power Linearity



Output Power 1dB & 3dB Gain Comp.



Output Harmonics



R&K reserves the right to make changes in the specifications of or discontinue products at any time without notice. R&K products shall not be used for or in connection with equipment that requires an extremely high level of reliability and safety such as aerospace uses or medical life support equipment. Further, R&K cannot export products to any country for use in military or defense applications.

R&K Company Limited

721-1 Maeda, Fuji-City, Shizuoka-Pref. 416-8577 Japan
Tel: +81-545-31-2600 E-mail: info@rkco.jp
Fax: +81-545-31-1600 URL: http://rk-microwave.com