

RF POWER AMPLIFIER

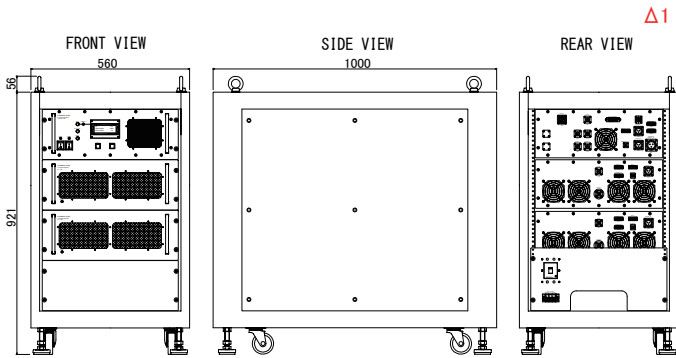


R&K-GA102M252-5454R



OUTLINE DRAWING

※IN MILLIMETERS



- Class A Linear Solid-State Amplifier
- Broadband Frequency: 1000MHz~2500MHz
- Output Power (CW) : 250W (min.) @1dB Comp.
- With Output Circulator

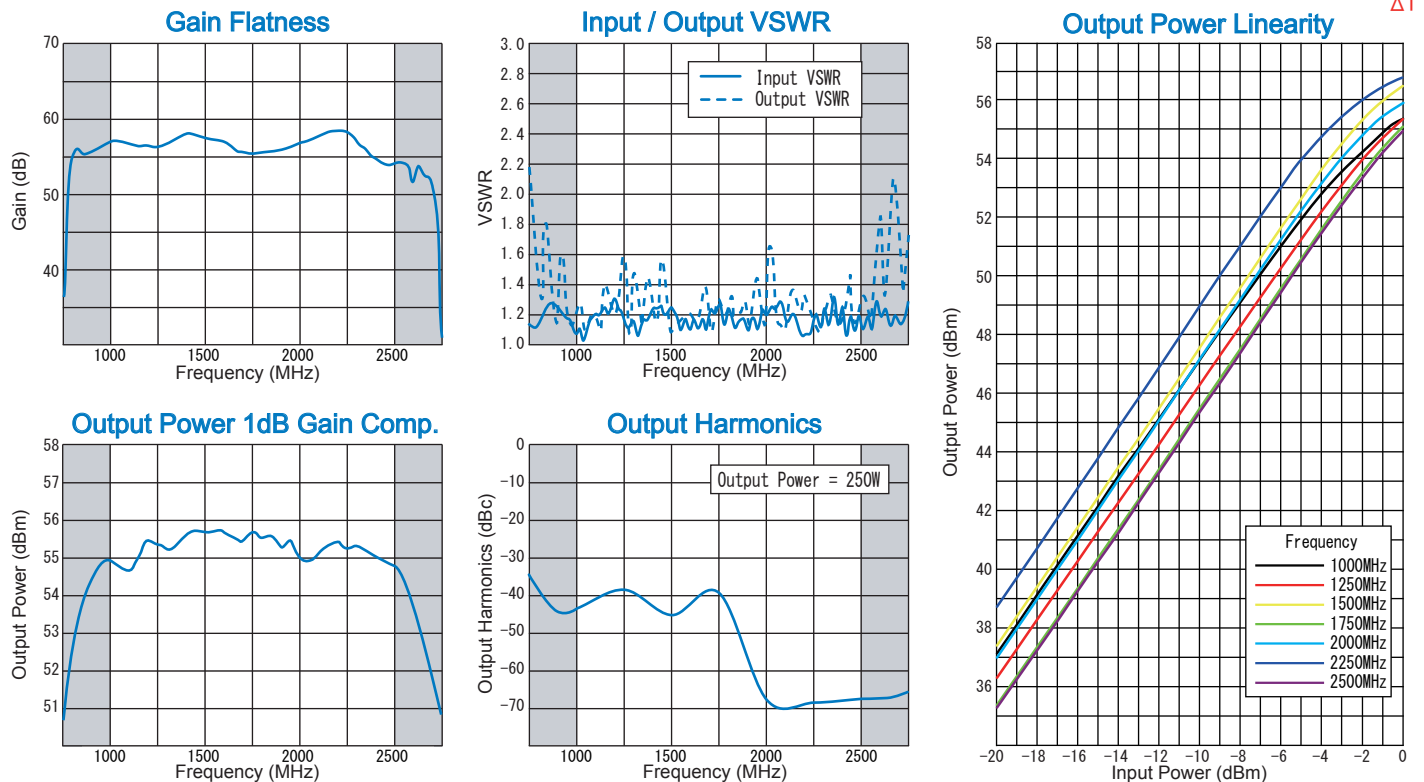
APPLICATION

- EMC(Electromagnetic Compatibility)
- Accelerator Application
- Telecommunication Test and Measurement Application
- Etc...

SPECIFICATIONS @ +25°C

Frequency Range	: 1000MHz ~ 2500MHz
Small Signal Gain	: +54.0dB (min.)
Gain Flatness	: ±3.0dB (max.)
Output Power (CW)	: 250W (min.) @1dB Comp.
Operation Mode	: Class A
Harmonics	: -20.0dBc (max.) @Po=250W
Spurious	: -65.0dBc (max.) @Po=250W
Impedance	: 50Ω
Input VSWR	: 2.0 (max.)
Output VSWR	: 2.0 (max.)
Maximum RF Input Power:	0dBm
AC Supply Input	: AC200V±15%/1φ, 50/60Hz, 5kVA
Operating Temperature	: 0°C to +35°C
Storage Temperature	: -15°C to +55°C
Connectors	: RF-IN N -FEMALE @REAR PANEL RF-OUT 7/16-FEMALE @REAR PANEL
Size	: (W)560mm×(D)1000mm×(H)921mm (Excluding Projection)
Weight	: 250.0kg (max.)
Cooling	: Forced Air Cooling
Protection Circuits	: Over Temperature Protection Power Supply Voltage Protection
Other Functions	: R&K Multi Monitoring System GP-IB(IEEE-488) Safety Interlock(EMERGENCY) With Output Circulator

TYPICAL PERFORMANCE (Temp @+25°C)



* CHANGE Δ1 3/Feb./2015

R&K reserves the right to make changes in the specifications of or discontinue products at any time without notice. R&K products shall not be used for or in connection with equipment that requires an extremely high level of reliability and safety such as aerospace uses or medical life support equipment. Further, The export of R&K products from Japan may be subject to an export license by the government of Japan, based on Japan's "Foreign Exchange and Foreign Trade Law".

R&K Company Limited

721-1 Maeda, Fuji-City, Shizuoka-Pref.416-8577 Japan
Tel : +81-545-31-2600 E-mail : info@rkco.jp
Fax : +81-545-31-1600 URL : http://rk-microwave.com