

RF POWER AMPLIFIER



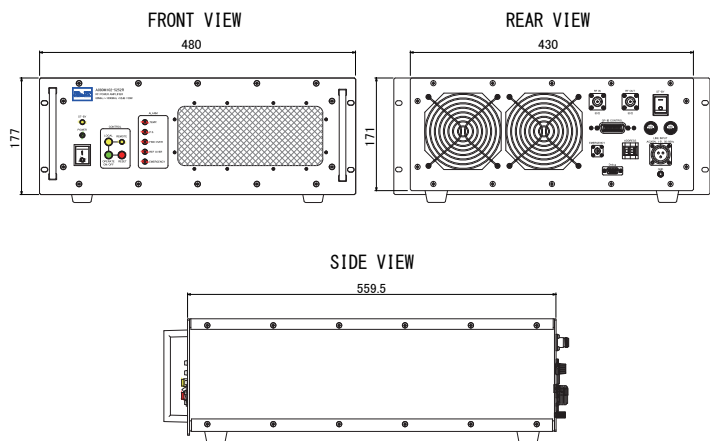
2017 Model

R&K-A080M102-5252R



OUTLINE DRAWING

※IN MILLIMETERS



- Class A Linear Solid-State Amplifier
- Broadband Frequency: 80MHz~1000MHz
- Output Power (CW)
 - 80MHz ~ 200MHz: 100W (min.) @1dB Comp.
 - 200MHz ~ 1000MHz: 150W (min.) @1dB Comp.

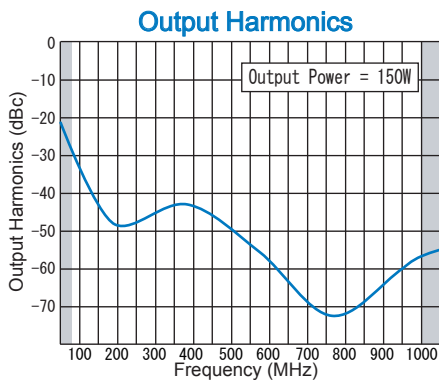
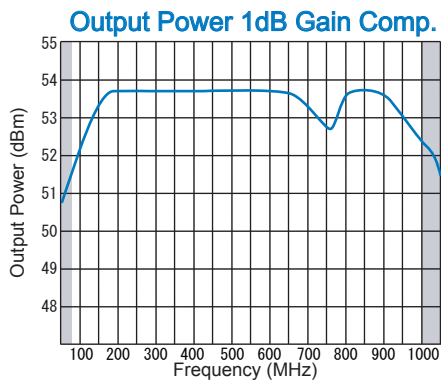
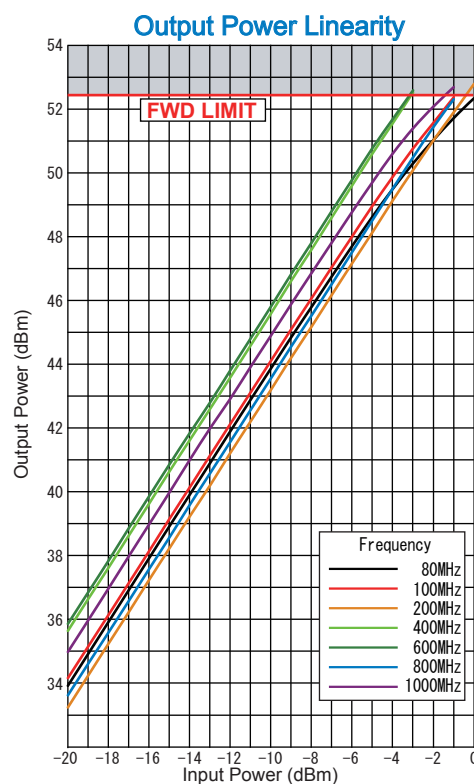
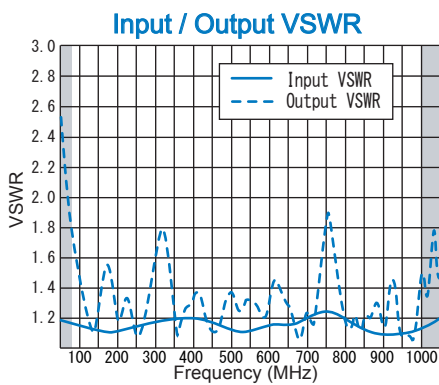
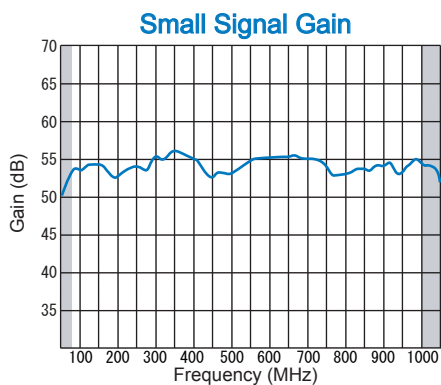
APPLICATION

- EMC(Electromagnetic Compatibility)
- Accelerator Application
- Telecommunication Test and Measurement Application
- Etc...

SPECIFICATIONS @ +25°C

Frequency Range	: 80MHz ~ 1000MHz
Small Signal Gain	: +52.0dB (min.)
Gain Flatness	: ±2.0dB (max.)
Output Power (CW)	
80MHz~ 200MHz	: 100W (min.) @1dB Comp.
200MHz~1000MHz	: 150W (min.) @1dB Comp.
Operation Mode	: Class A
Harmonics	: -20.0dBc (max.) @Po=150W
Spurious	: -70.0dBc (max.) @Po=150W
Impedance	: 50Ω
Input Return Loss	: 9.5dB (min.) / VSWR: 2.0 (max.)
Output Return Loss	: 7.4dB (typ.) / VSWR: 2.5 (typ.) Δ1
Maximum RF Input Power:	+3.0dBm
AC Supply Input	: AC200V±15%/1φ, 50/60Hz, 2kVA
Operating Temperature	: 0°C to +35°C
Storage Temperature	: -15°C to +65°C
Connectors	: RF - IN N - FEMALE @REAR PANEL RF - OUT N - FEMALE @REAR PANEL
Size	: (W)480mm×(D)559.5mm×(H)177mm(EIA:4U)
Weight	: 28.0kg (typ.) Δ1
Cooling	: Forced Air Cooling
Protection Circuits	: Over Temperature Protection Power Supply Voltage Protection Output Over Power Protection Output Over Reflection Power Protection
Other Functions	: GP-IB(IEEE-488) Safety Interlock(EMERGENCY)

TYPICAL PERFORMANCE (Temp @+25°C)



* CHANGE Δ1 26/Jun./2018

R&K reserves the right to make changes in the specifications of or discontinue products at any time without notice. R&K products shall not be used for or in connection with equipment that requires an extremely high level of reliability and safety such as aerospace uses or medical life support equipment. Further, the export of R&K products from Japan may be subject to an export license by the government of Japan, based on Japan's "Foreign Exchange and Foreign Trade Law".

R&K Company Limited

721-1 Maeda, Fuji-City, Shizuoka-Pref. 416-8577 Japan
 Tel: +81-545-31-2600 E-mail: info@rkco.jp
 Fax: +81-545-31-1600 URL: http://rk-microwave.com