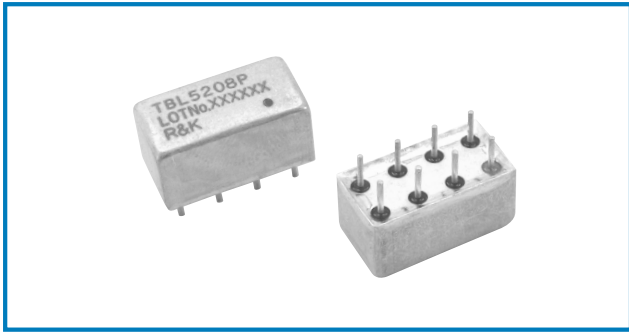
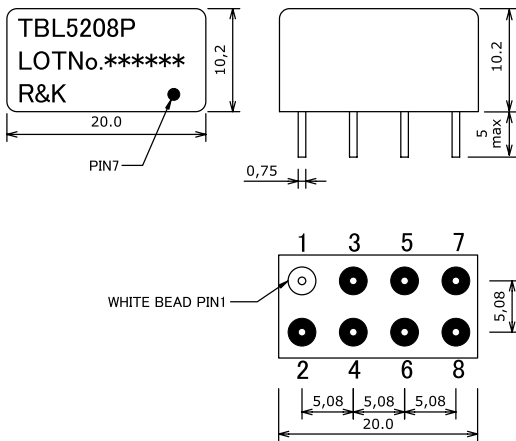


R&K-TBL520



OUTLINE DRAWING

※ IN MILLIMETERS



- Frequency : 5MHz-700MHz
- Low-Loss Balun / Unbalance
- Low Cost / 8PIN Package
- RoHS Compliance

SPECIFICATIONS

Frequency Range : 5-700MHz

Insertion Loss

	5 - 100MHz	100 - 500MHz	500 - 700MHz
Typ.	1.2dB	2.0dB	2.5dB
Max.	1.4dB	2.5dB	4.0dB

Amplitude Balance : 0.9dB (max.)

Input Port VSWR : 2.0:1 (max.)

Impedance(INPUT Ports) : 50 Ω

Impedance(OUT Ports) : 200 Ω

Maximum RF Input Power : 1W (max.)

Operating Temperature : -40°C to + 80°C

Storage Temperature : -40°C to +100°C

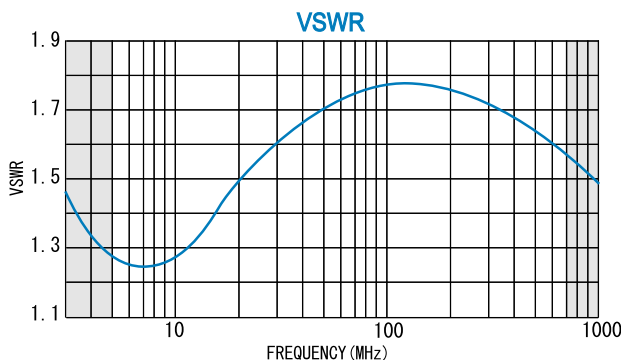
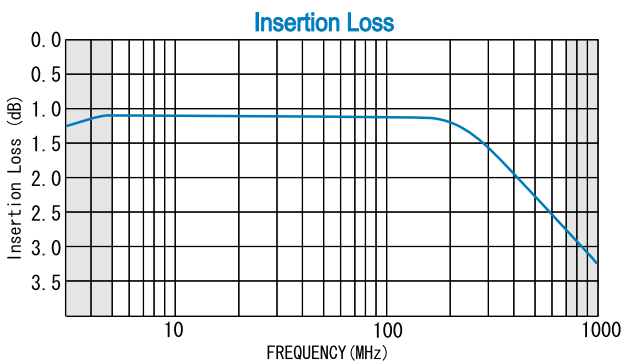
HOW TO ORDER

Model Name

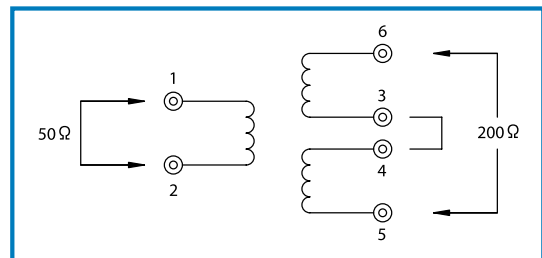
R&K-TBL5208P 8P=8PIN Package



TYPICAL PERFORMANCE (Temp @+25°C)



SCHEMATIC



Function	Pin No.
PORT-1	1
PORT-2	2
PORT-3	6
PORT-4	3
PORT-5	4
PORT-6	5
GND	7, 8

R&K reserves the right to make changes in the specifications of or discontinue products at any time without notice. R&K products shall not be used for or in connection with equipment that requires an extremely high level of reliability and safety such as aerospace uses or medical life support equipment. Further, R&K cannot export products to any country for use in military or defense applications.

R&K Company Limited

721-1 Maeda, Fuji-City, Shizuoka-Pref. 416-8577 Japan
 Tel : +81-545-31-2600 E-mail : info@rk.co.jp
 Fax : +81-545-31-1600 URL : http://rk-microwave.com