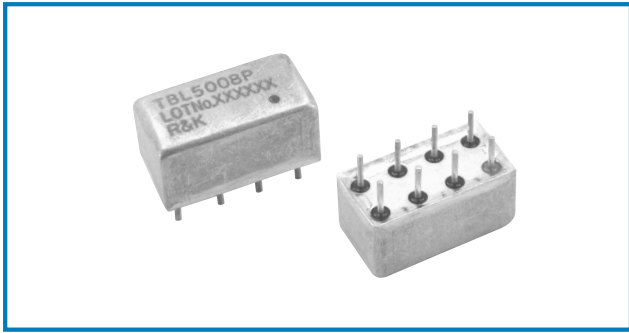
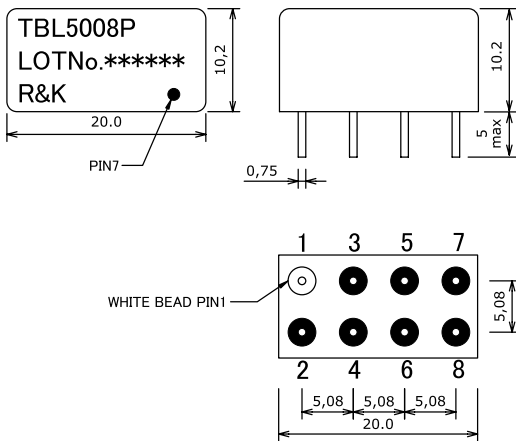


R&K-TBL500



OUTLINE DRAWING

※ IN MILLIMETERS



- Frequency : 5MHz-700MHz
- Low-Loss Balun / Unbalance
- Low Cost / 8PIN Package
- RoHS Compliance

SPECIFICATIONS

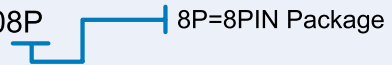
Frequency Range : 5-700MHz
 Insertion Loss

	5 - 100MHz	100 - 500MHz	500 - 700MHz
Typ.	0.8dB	0.8dB	1.0dB
Max.	1.0dB	1.0dB	1.5dB

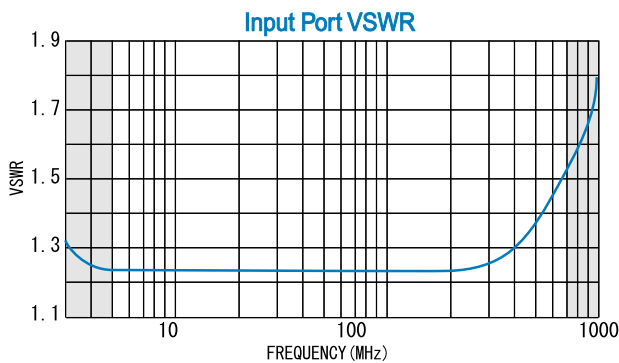
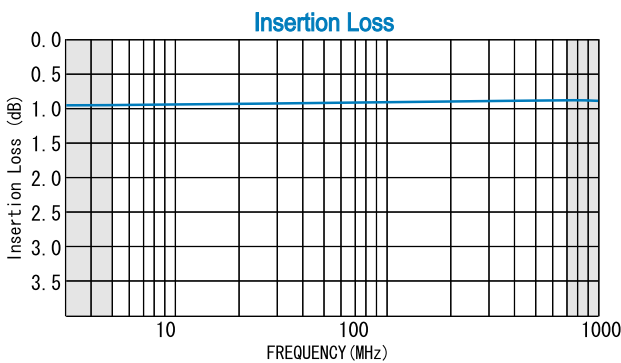
Amplitude Balance : 0.25dB (max.)
 VSWR : 1.6:1 (max.)
 Impedance : 50 Ω (nom.)
 Maximum RF Input Power : 1W (max.)
 Operating Temperature : -40°C to + 85°C
 Storage Temperature : -40°C to +100°C

HOW TO ORDER

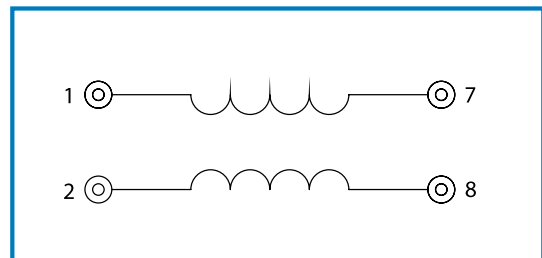
Model Name
 R&K-TBL5008P



TYPICAL PERFORMANCE (Temp @+25°C)



SCHEMATIC



Function	Pin No.
PORT-1	1
PORT-2	2
PORT-3	7
PORT-4	8
GND	3, 4, 5, 6

R&K reserves the right to make changes in the specifications of or discontinue products at any time without notice. R&K products shall not be used for or in connection with equipment that requires an extremely high level of reliability and safety such as aerospace uses or medical life support equipment. Further, R&K cannot export products to any country for use in military or defense applications.

R&K Company Limited

721-1 Maeda, Fuji-City, Shizuoka-Pref. 416-8577 Japan
 Tel : +81-545-31-2600 E-mail : info@rk.co.jp
 Fax : +81-545-31-1600 URL : http://rk-microwave.com