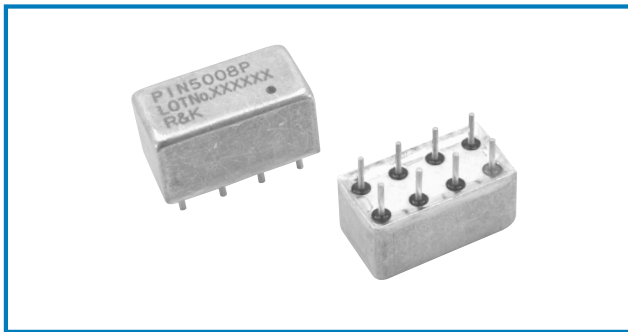


PIN DIODE ATTENUATOR

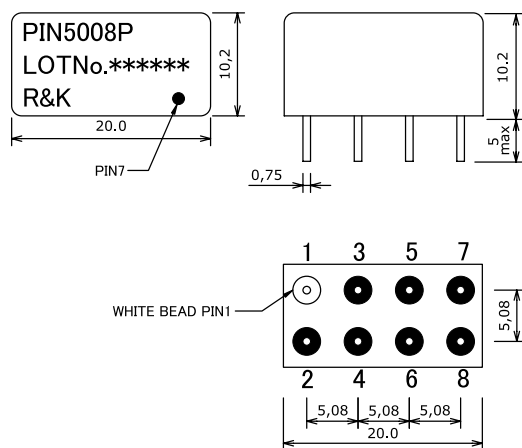


R&K-PIN500



OUTLINE DRAWING

※IN MILLIMETERS



- Frequency : 5MHz-500MHz
- Low-Loss High Attenuation Ratio
- Low Cost / 8PIN Package
- RoHS Compliance

SPECIFICATIONS

Frequency Range : 5-500MHz
 Insertion Loss : 3dB (max.)
 Attenuation (RF:10mW)

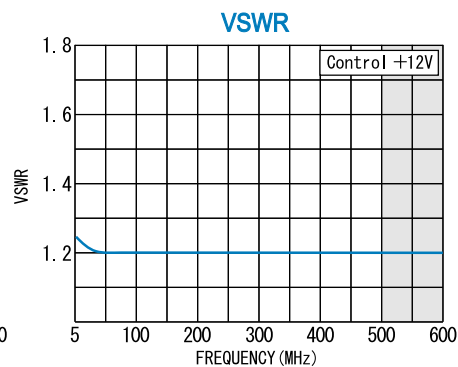
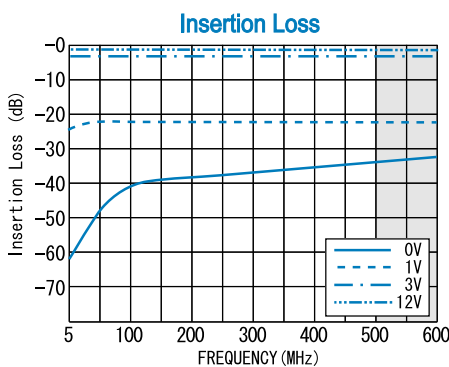
	5 - 50MHz	50 - 200MHz	200 - 500MHz
Typ.	40dB	30dB	25dB

VSWR : 1.3:1(max.) On Time
 Impedance : 50Ω
 Maximum RF Input Power : 100mW (max.)
 Control Voltage : 0 to +12V
 DC Power Supply Input : +12V ±1% Regulated
 Operating Temperature : -30°C to +65°C
 Storage Temperature : -40°C to +100°C

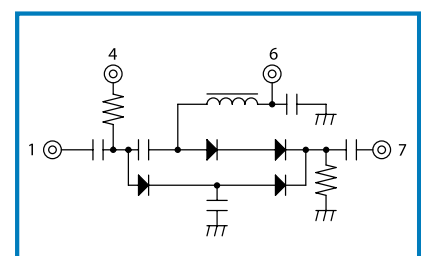
HOW TO ORDER

Model Name
R&K-PIN5008P 8P=8PIN Package

TYPICAL PERFORMANCE (Temp @+25°C)



SCHEMATIC



Function	Pin No.
IN/OUT	1
OUT/IN	7
+12V	4
Cont V	6
GND	2, 3, 5, 8

R&K reserves the right to make changes in the specifications of or discontinue products at any time without notice. R&K products shall not be used for or in connection with equipment that requires an extremely high level of reliability and safety such as aerospace uses or medical life support equipment. Further, R&K cannot export products to any country for use in military or defense applications.

R&K Company Limited

721-1 Maeda, Fuji-City, Shizuoka-Pref. 416-8577 Japan
 Tel : +81-545-31-2600 E-mail : info@rk.co.jp
 Fax : +81-545-31-1600 URL : http://rk-microwave.com