

RF POWER AMPLIFIER

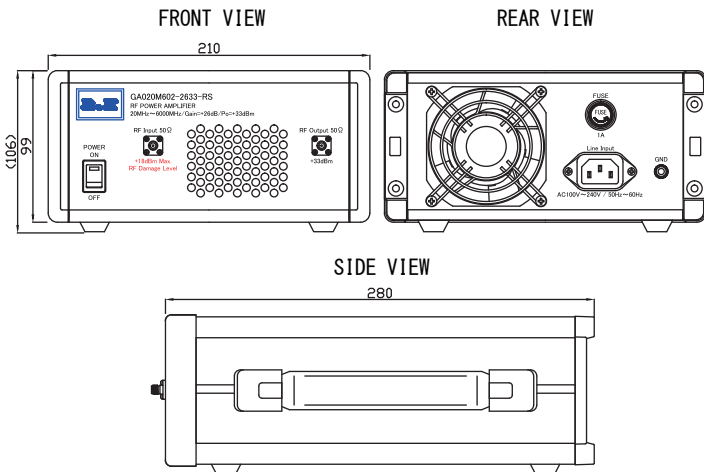


R&K-GA020M602-2633-RS



OUTLINE DRAWING

※IN MILLIMETERS



- Broadband Frequency : 20MHz ~ 6000MHz
- Output Power : +33dBm @3dB Comp.
- Gain Flatness : ±2.5dB (max.)
- RoHS Compliance

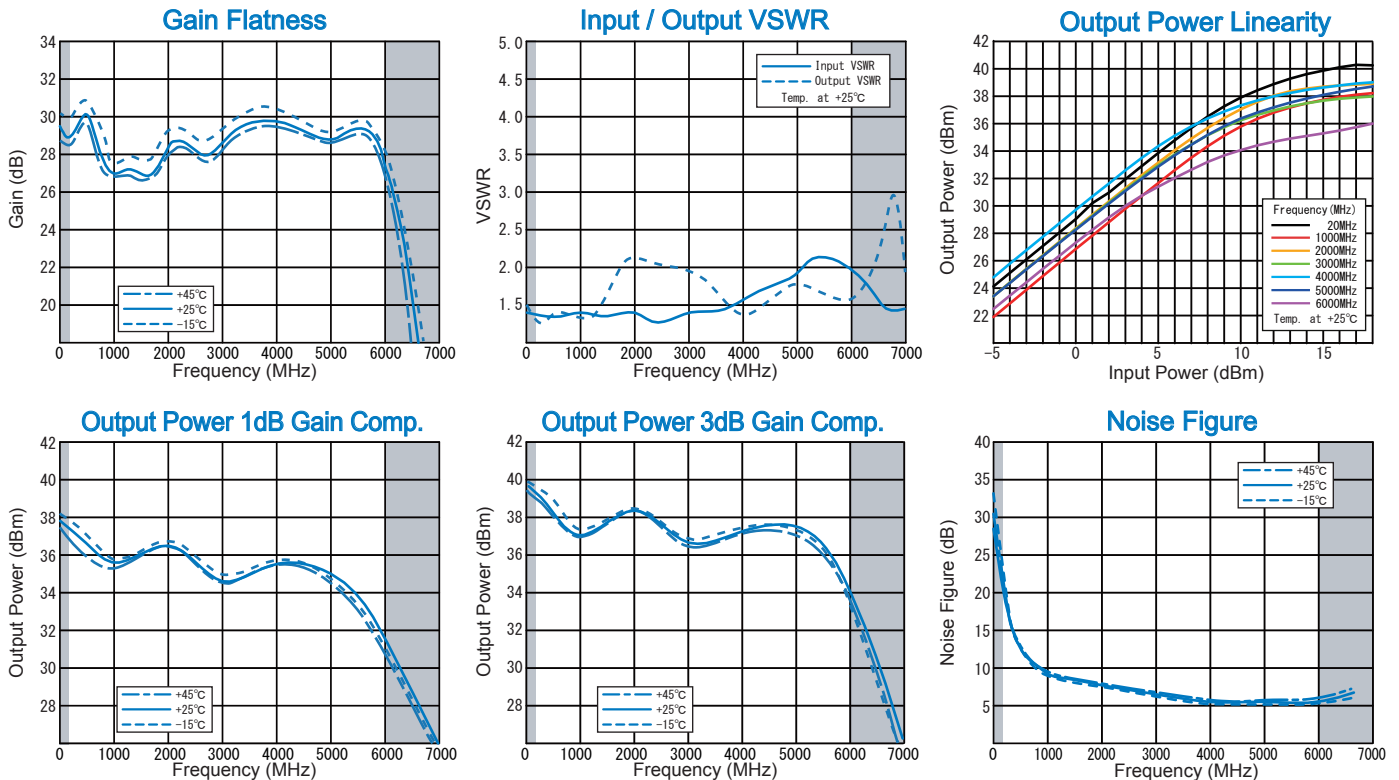
SPECIFICATIONS

Frequency Range	: 20MHz ~ 6000MHz
Small Signal Gain	: +28dB (typ.) : +25dB (min.)
Gain Flatness	: ±2.5dB (max.)
Output Power @1dB Comp.	: +30dBm (min.)
@3dB Comp.	: +33dBm (min.)
@Psat.	: +37dBm (typ.)
Output I.C.P.	: +40dBm (typ.)
Noise Figure	: 7.0dB (typ.)
Note: N.F.value is only guaranteed in the range of 1000MHz to 6000MHz.	
Impedance	: 50Ω
Input VSWR	: 1.8 : 1 (typ.)
Output VSWR	: 2.0 : 1 (typ.)
AC Supply Input	: AC100V~240V/1φ, 50/60Hz : 100VA (max.)
Maximum RF Input Power	: +18dBm
Operating Temperature	: -15°C to +45°C
Storage Temperature	: -15°C to +65°C
Connectors (Standard)	: SMA - FEMALE
Weight (Standard)	: 4.5kg (max.)

HOW TO ORDER

Model Number R&K-GA020M602-2633-RS No Option

TYPICAL PERFORMANCE



R&K reserves the right to make changes in the specifications of or discontinue products at any time without notice. R&K products shall not be used for or in connection with equipment that requires an extremely high level of reliability and safety such as aerospace uses or medical life support equipment. Further, R&K cannot export products to any country for use in military or defense applications.

R&K Company Limited

721-1 Maeda, Fuji-City, Shizuoka-Pref. 416-8577 Japan
 Tel : +81-545-31-2600 E-mail : info@rkco.jp
 Fax : +81-545-31-1600 URL : http://rk-microwave.com