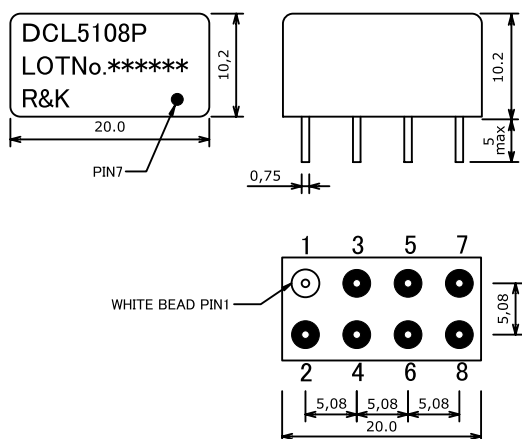


R&K-DCL510



OUTLINE DRAWING

※IN MILLIMETERS



- Frequency : 1-1000MHz
- Coupling 11.0dB Flat Response
- Low Cost / 8PIN Package
- RoHS Compliance

SPECIFICATIONS

Frequency Range : 1-1000MHz

Main Line Loss

	1 - 100MHz	100 - 500MHz	500 - 1000MHz
Typ.	1.3dB	1.5dB	1.6dB
Max.	1.8dB	2.0dB	2.0dB

Directivity

	1 - 100MHz	100 - 500MHz	500 - 1000MHz
Typ.	35dB	35dB	25dB
Min.	25dB	25dB	20dB

- Coupling : 11.0dB (nom.)
- Coupling Flatness : ± 0.8 dB (max.)
- VSWR : 1.5:1 (max.)
- Impedance (All Ports) : 50 Ω
- Maximum RF Input Power : 1W (max.)
- Internal Load Dissipation : 0.1W
- Operating Temperature : -40°C to $+85^{\circ}\text{C}$
- Storage Temperature : -40°C to $+100^{\circ}\text{C}$

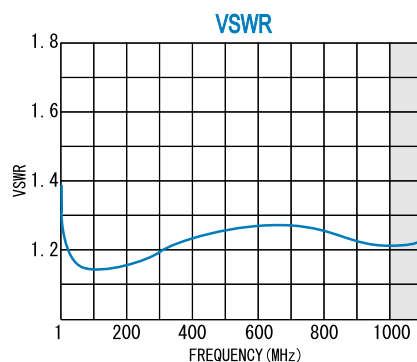
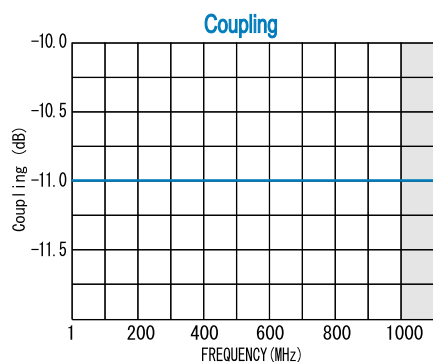
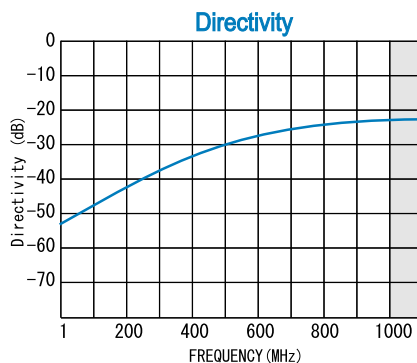
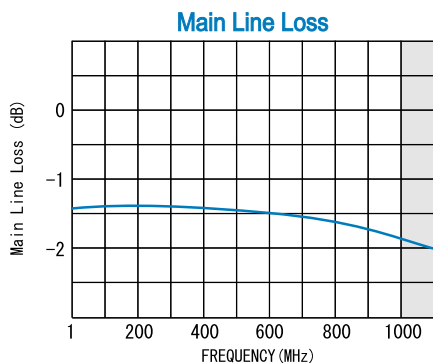
HOW TO ORDER

Model Name

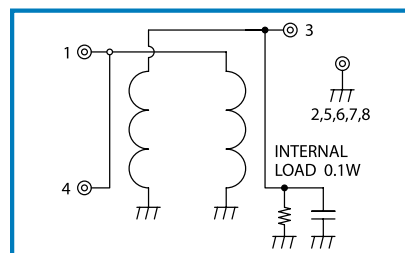
R&K-DCL5108P

8P=8PIN Package

TYPICAL PERFORMANCE (Temp @+25°C)



SCHEMATIC



Function	Pin No.
RF-IN	1
RF-OUT	4
FWD COUPLED	3
GND	2,5,6,7,8

R&K reserves the right to make changes in the specifications of or discontinue products at any time without notice. R&K products shall not be used for or in connection with equipment that requires an extremely high level of reliability and safety such as aerospace uses or medical life support equipment. Further, R&K cannot export products to any country for use in military or defense applications.

R&K Company Limited

721-1 Maeda, Fuji-City, Shizuoka-Pref. 416-8577 Japan
 Tel: +81-545-31-2600 E-mail: info@rk.co.jp
 Fax: +81-545-31-1600 URL: http://rk-microwave.com