

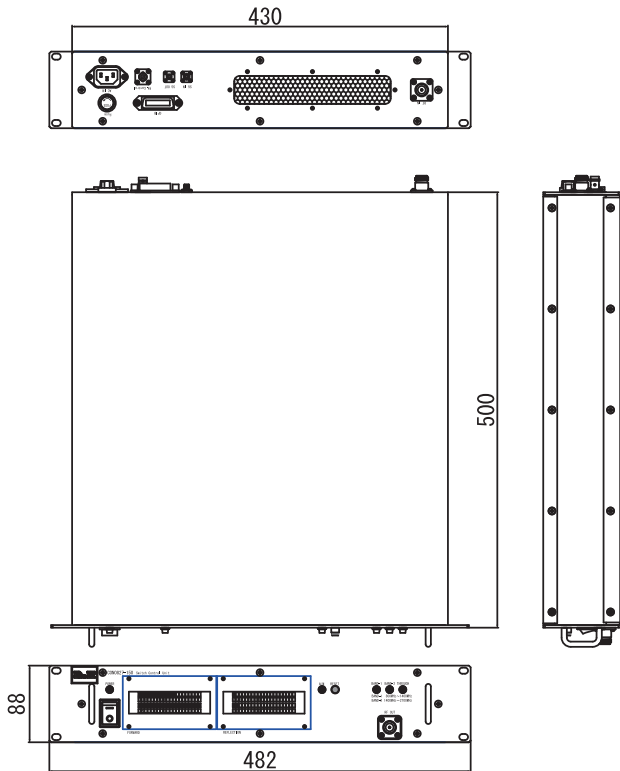
150W POWER CONTROLLER for Near-Field-Emission Measurement



R&K CON0827-150W-R

OUTLINE DRAWING

※IN MILLIMETERS



- Frequency Range : BAND1 800MHz~1400MHz
BAND2 1400MHz~2700MHz
THROUGH
- Input Power : 150W peak (max)
75W ave. (digital)
- Output Power : 150W peak (max)
75W ave. (digital)
- 19" -2U Size : 88mm (Height)

SPECIFICATIONS

CONNECTORS

Signal Generator Input	: SG in (SMA-female)	rear
Signal Output	: SG out (SMA-female)	rear
RF Power Input	: RF in (N-female)	rear
RF Power Output	: RF out (N-female)	front
PA ON/OFF Control	: PA.Control(BNC-female)	rear

DISPLAY

Power LED		
Alarm LED		
BAND INDICATE LED	: BAND1/BAND2/THROUGH	
LCD DISPLAY	: FORWARD	Average Power Peak Power
(with BAR Graph)	: REFLECTION	Average Power Peak Power

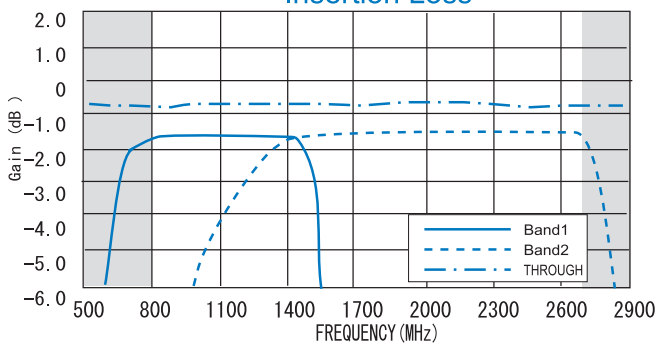
CONTROL

- RESET SWITCH
- Automatic Band Select
- Automatic Fwd. Power Control
- Automatic Ref. Power Control

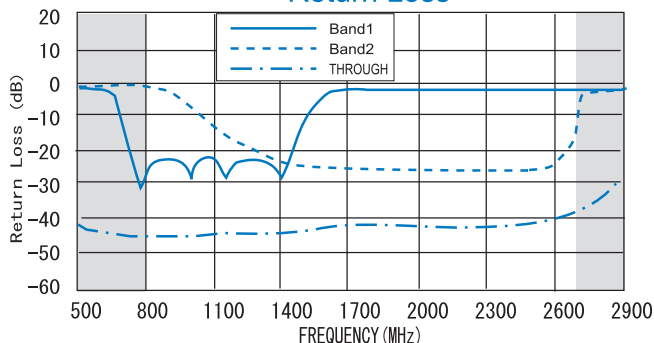
AC Suply Input	: AC 100V~240V	50/60Hz
RF Power Input Return LOSS	: 15dB (typ)	
RF Power Output Return LOSS	: 15dB (typ)	
GPIB Control	: Option	

TYPICAL PERFORMANCE (Temp @+25°C)

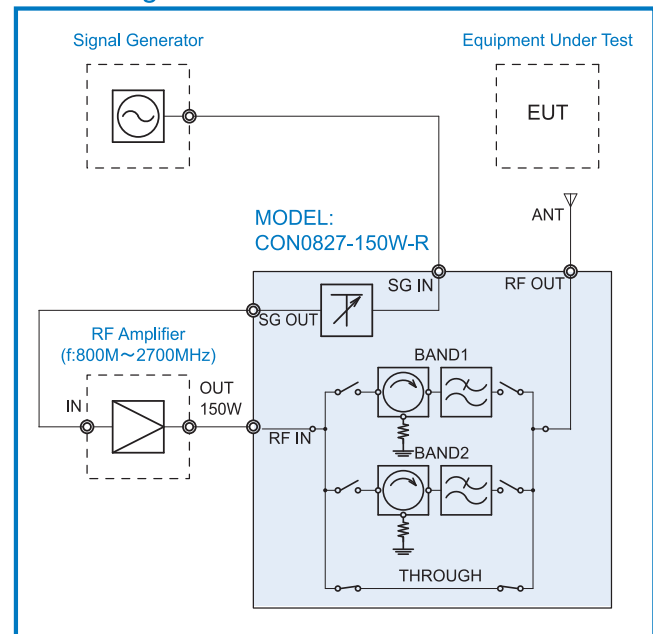
Insertion Loss



Return Loss



Block Diagram



R&K reserves the right to make changes in the specifications of or discontinue products at any time without notice. R&K products shall not be used for or in connection with equipment that requires an extremely high level of reliability and safety such as aerospace uses or medical life support equipment. Further, R&K cannot export products to any country for use in military or defense applications.

R&K Company Limited

721-1 Maeda, Fuji-City, Shizuoka-Pref. 416-8577 Japan
Tel : +81-545-31-2600 E-mail : info@rkco.jp
Fax : +81-545-31-1600 URL : http://rk-microwave.com