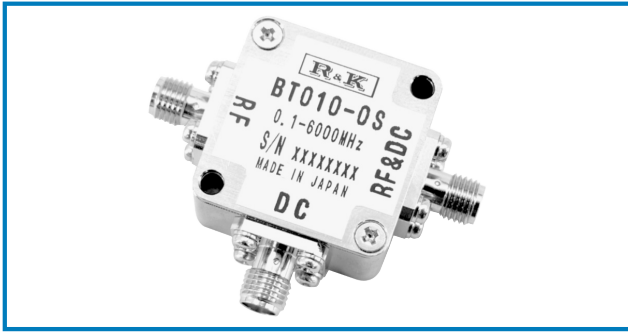
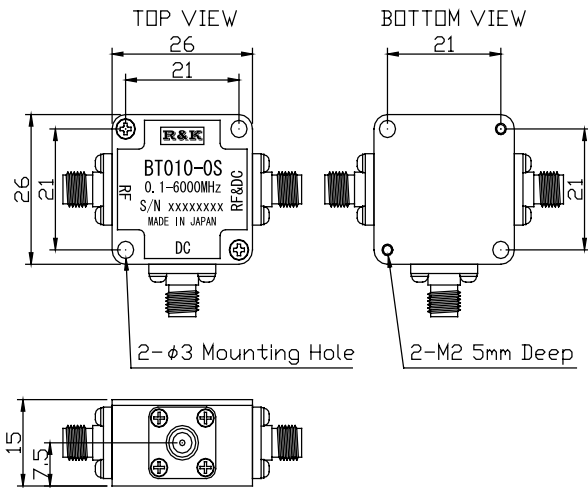


R&K-BT010-0S



OUTLINE DRAWING

※ IN MILLIMETERS



- Broadband Frequency : 0.1~6000MHz
- Low Insertion Loss : 0.7dB (typ) @2GHz
- High Isolation : 35dB (typ) @2GHz
- Low Cost
- RoHS Compliance

SPECIFICATIONS

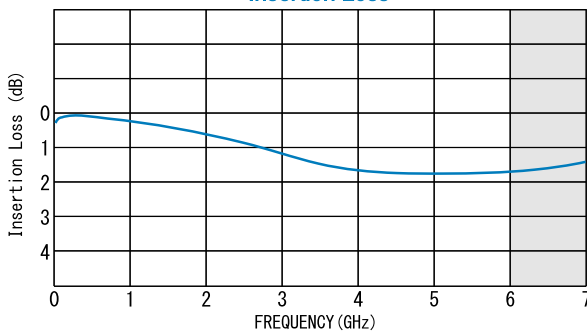
| | |
|--------------------------------|------------------|
| Frequency Range | : 0.1 - 6000MHz |
| Insertion Loss (0.1-3000MHz) | : 1.5dB (max.) |
| (3000-6000MHz) | : 3.5dB (max.) |
| Isolation RF Port ~ DC Port | |
| (DC-6000MHz) | : 20dB (min.) |
| Isolation RF&DC Port ~ DC Port | |
| (0.1-6000MHz) | : 20dB (min.) |
| Impedance | : 50Ω |
| VSWR | : 1.25:1 (typ.) |
| Input Current | : 500mA |
| Maximum Voltage | : 30V |
| Maximum RF Input Power | : 1W |
| Operating Temperature | : -25°C to +85°C |
| Storage Temperature | : -25°C to +85°C |
| Connectors | |
| RF / RF&DC (No Option) | : SMA-Female |
| DC (Standard) | : SMA-Female |
| DC (Option) | : EMI-Filter |
| Weight (SMA Connector) | : 30g (typ.) |

HOW TO ORDER

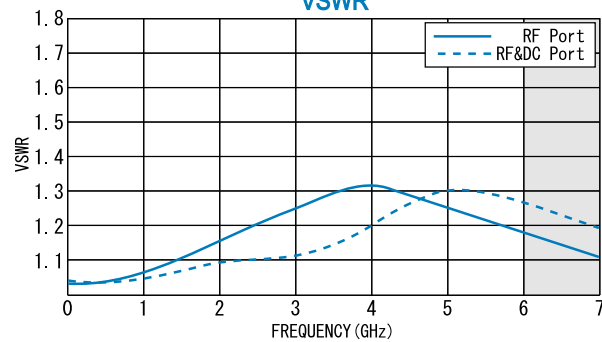
Model Name R&K-BT010-0S S = SMA - FEMALE
F = EMI - FILTER

TYPICAL PERFORMANCE (Temp @+25°C)

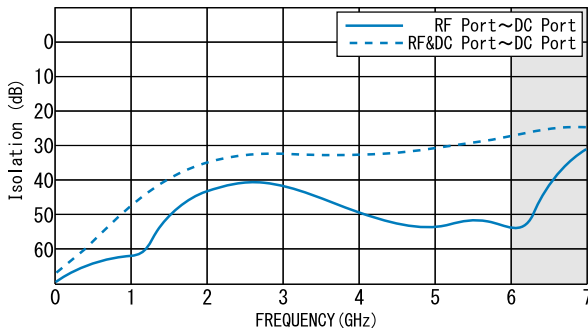
Insertion Loss



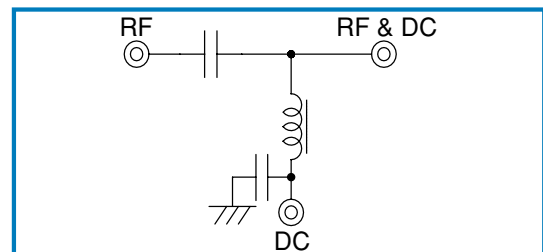
VSWR



Isolation



SCHEMATIC



R&K reserves the right to make changes in the specifications of or discontinue products at any time without notice. R&K products shall not be used for or in connection with equipment that requires an extremely high level of reliability and safety such as aerospace uses or medical life support equipment. Further, R&K cannot export products to any country for use in military or defense applications.

R&K Company Limited

721-1 Maeda, Fuji-City, Shizuoka-Pref. 416-8577 Japan
Tel : +81-545-31-2600 E-mail : info@rk.co.jp
Fax : +81-545-31-1600 URL : http://rk-microwave.com