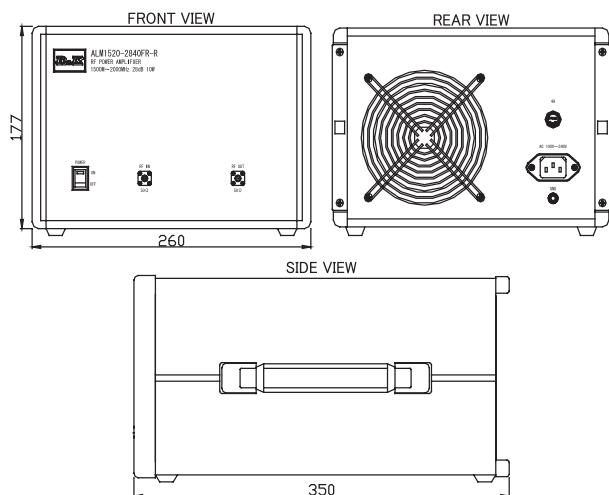


## R&K-ALM1520-2840FR-R



### OUTLINE DRAWING

※IN MILLIMETERS



- Broadband Frequency : 1500MHz~2000MHz
- Output Power : +40dBm
- Gain Flatness : ±1.0dB (max.)
- Low Cost

### SPECIFICATIONS @ +25°C

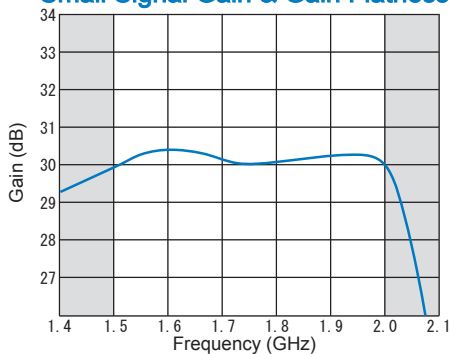
Frequency Range	: 1500MHz~2000MHz
Small Signal Gain	: +30dB (typ.) : +28dB (min.)
Gain Flatness	: ±1.0dB (max.)
Output Power@1dB Comp.	: +40dBm (min.)
Output I.C.P.	: +52dBm (typ.) @1750MHz
Noise Figure	: 8.0dB (max.)
Impedance	: 50 Ω
Input VSWR	: 1.5 : 1 (typ.)
Output VSWR	: 2.0 : 1 (typ.)
Harmonics	: -18dBc (max.) @ +40dBm Output
Spurious	: -60dBc (max.) @ +40dBm Output
AC Supply Input	: AC100V~240V : 50/60Hz 2A (max.)
Maximum RF Input Power	: +17dBm
Operating Temperature	: -10°C to +45°C
Storage Temperature	: -15°C to +65°C
Connectors	: SMA-FEMALE
Weight	: 9kg (typ.)

### HOW TO ORDER

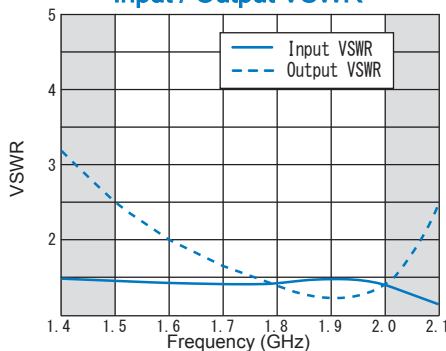
Model Name  
R&K-ALM1520-2840FR-R No Option

### TYPICAL PERFORMANCE (Temp @+25°C)

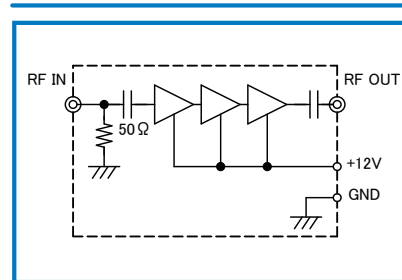
Small Signal Gain & Gain Flatness



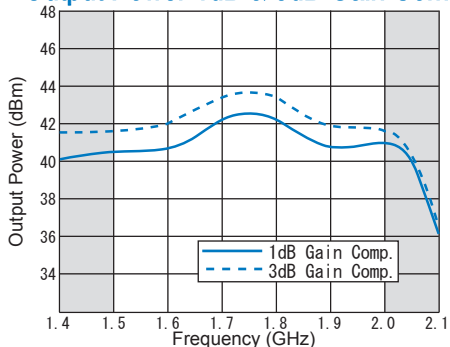
Input / Output VSWR



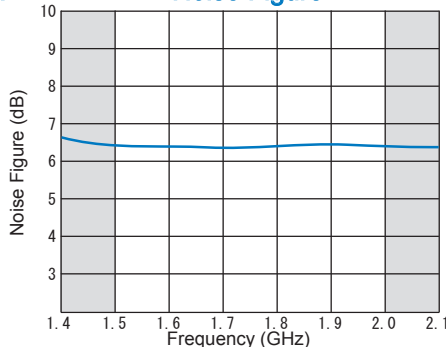
SCHEMATIC



Output Power 1dB & 3dB Gain Comp.



Noise Figure



R&K reserves the right to make changes in the specifications of or discontinue products at any time without notice. R&K products shall not be used for or in connection with equipment that requires an extremely high level of reliability and safety such as aerospace uses or medical life support equipment. Further, the export of R&K products from Japan may be subject to an export license by the government of Japan, based on Japan's "Foreign Exchange and Foreign Trade Law".

## R&K Company Limited

721-1 Maeda, Fuji-City, Shizuoka-Pref. 416-8577 Japan  
Tel : +81-545-31-2600 E-mail : info@rkco.jp  
Fax : +81-545-31-1600 URL : http://rk-microwave.com